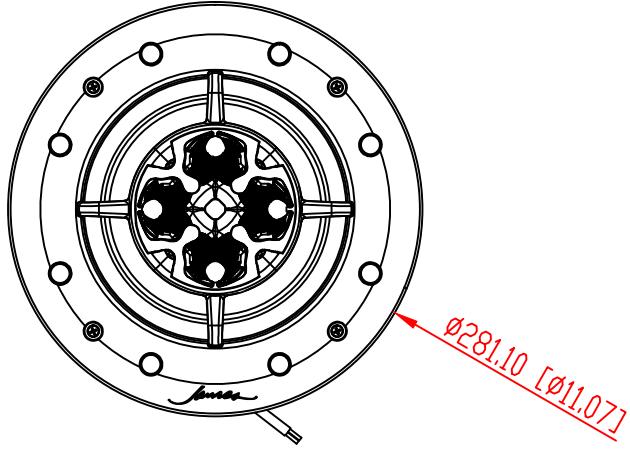
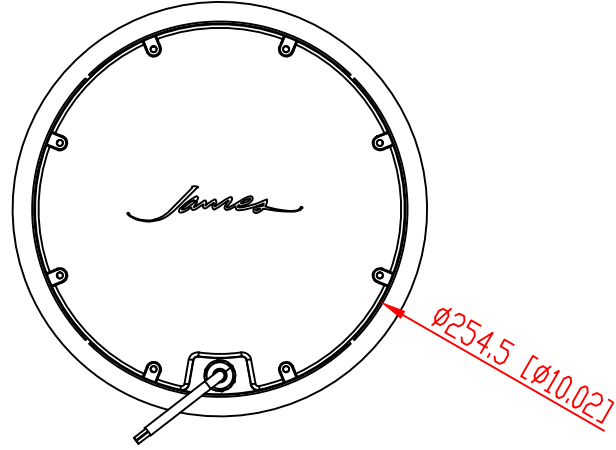


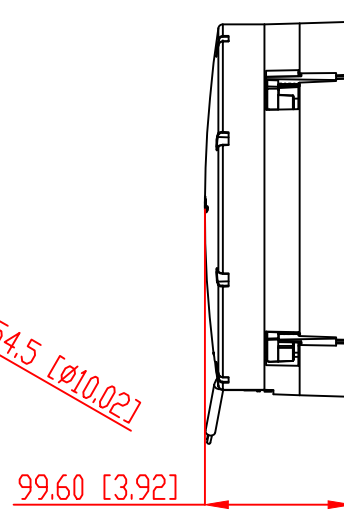
FRONT



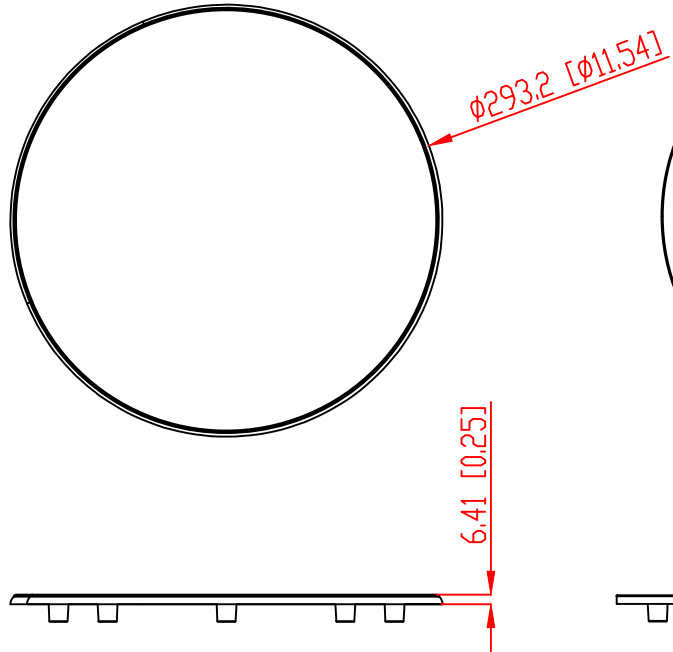
BACK / MINIMUM CUTOUT



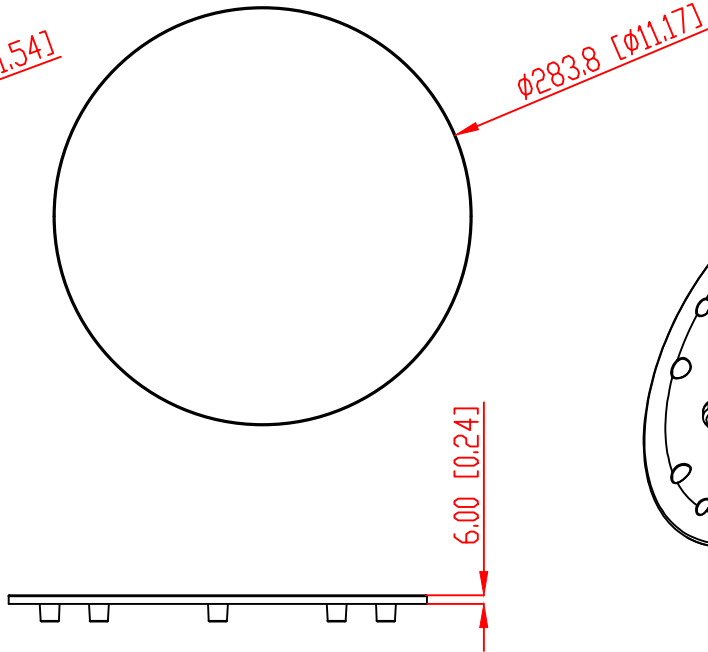
MOUNTING DEPTH



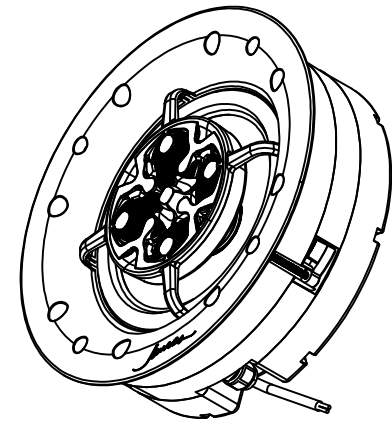
MICRO TRIM GRILLE



TRIMLESS GRILLE



ISOMETRIC



2185 Park Place
Minden, Nevada 89423 USA
775-461-7500
www.jamesloudspeaker.com



VX088R WITH SHALLOW ENCLOSURE SPEAKER

SCALE: 4:5	DRAWN BY: Roy	REV.
SHEET: 0F	RELEASED DIM	IRWIN - PART NUMBER