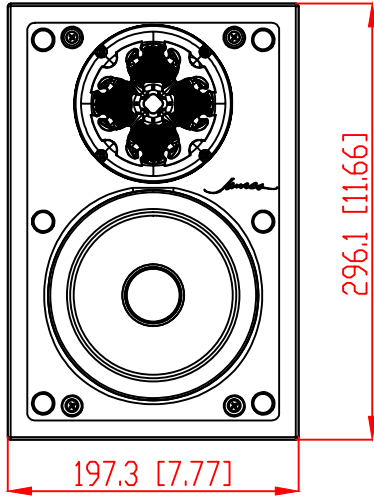
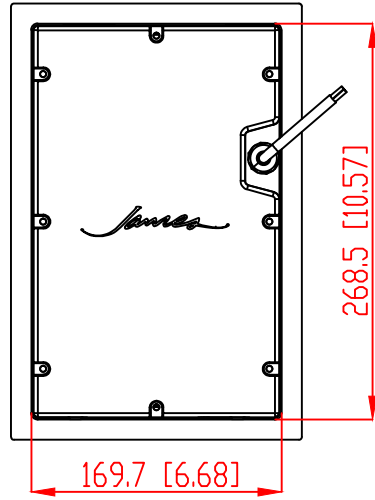


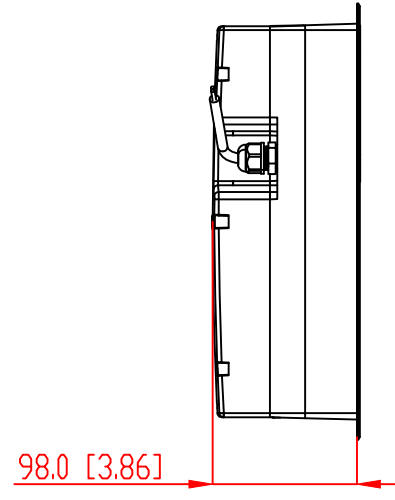
FRONT



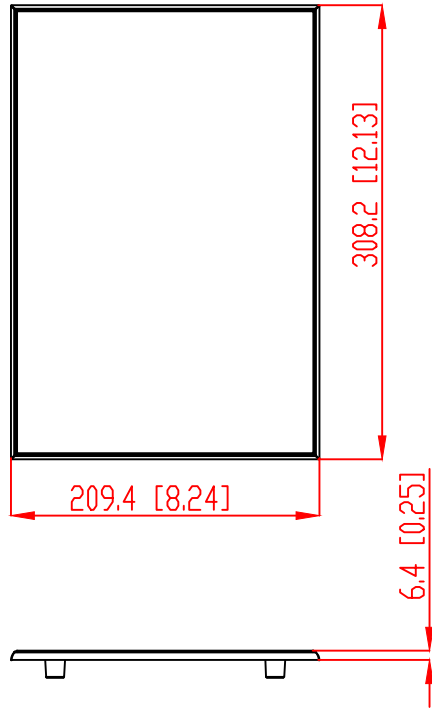
BACK / MINIMUM CUTOUT



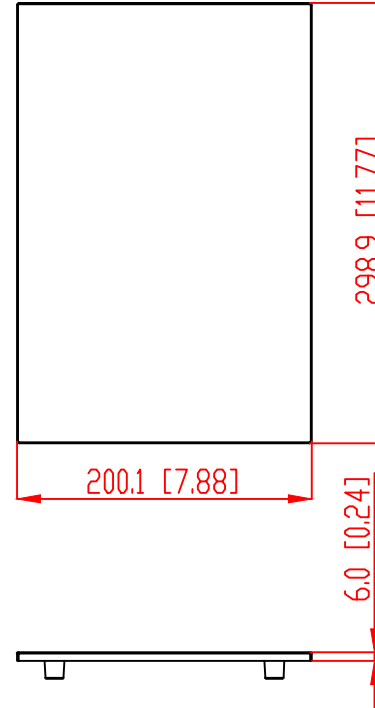
MOUNTING DEPTH



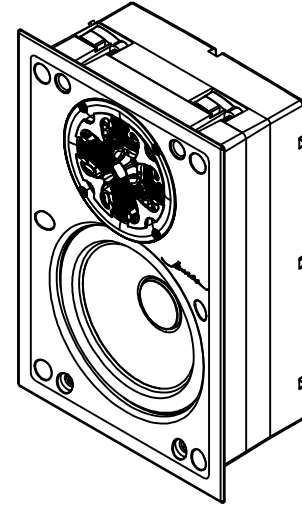
MICRO TRIM GRILLE



TRIMLESS GRILLE



ISOMETRIC



2185 Park Place
 Minden, Nevada 89423 USA
 775-461-7500
 www.jamesloudspeaker.com



VX068 WITH ENCLOSURE

SCALE: 4 : 5
 SHEET: 0F

DRAWN BY: Roy
 DRAWN - PART NUMBER

REV.

RELEASED DIM