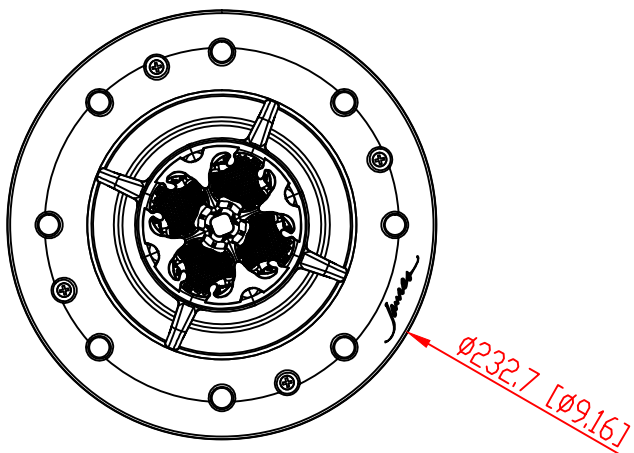
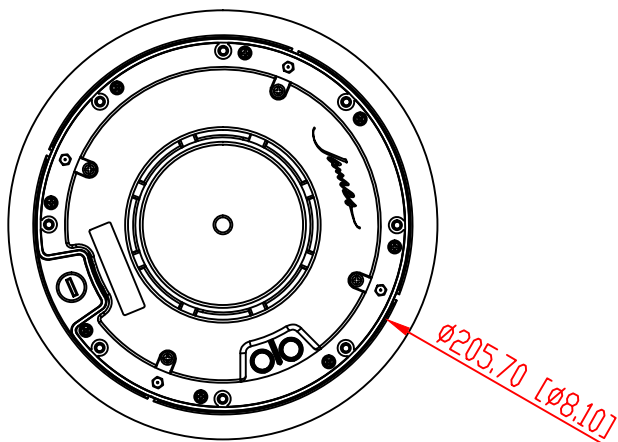


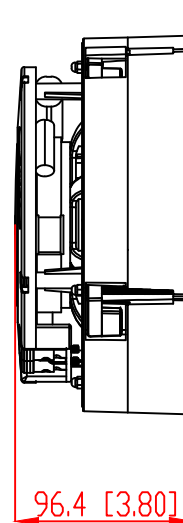
FRONT



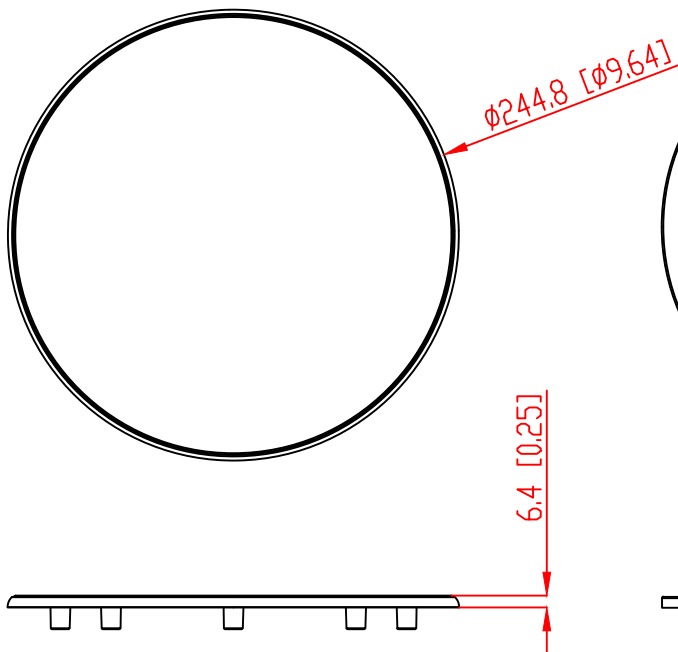
BACK / MINIMUM CUTOUT



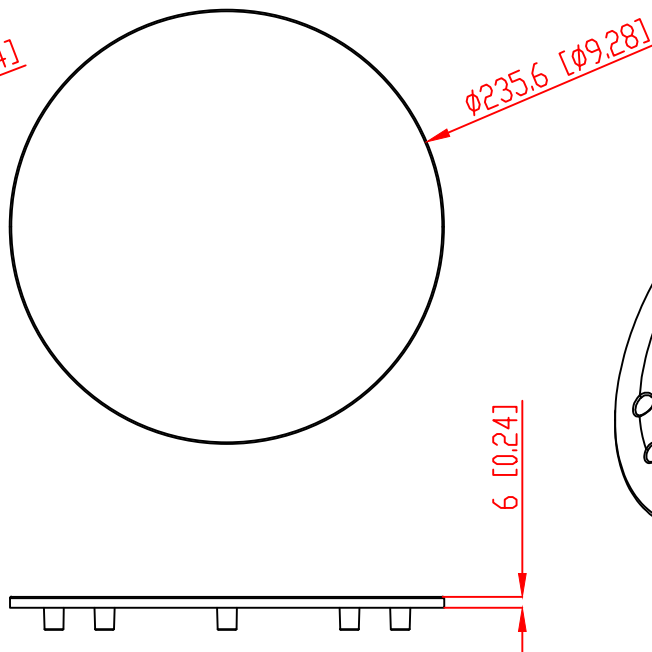
MOUNTING DEPTH



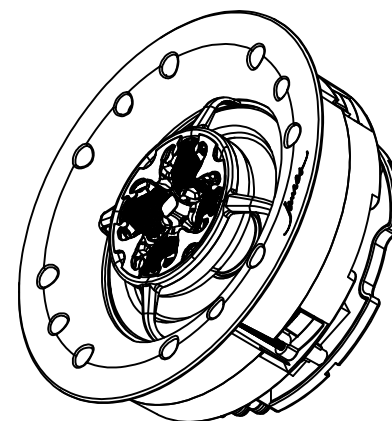
MICRO TRIM GRILLE



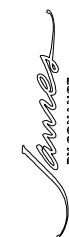
TRIMLESS GRILLE



ISOMETRIC



2185 Park Place
Minden, Nevada 89423 USA
775-461-7500
www.jamesloudspeaker.com



VXQ68R SPEAKER

SCALE: 1:1
SHEET: 0F

DRAWN BY: Roy
RELEASED DN:

DRWN - PART NUMBER

REV.