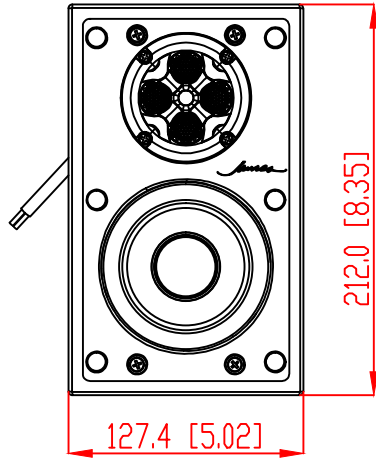
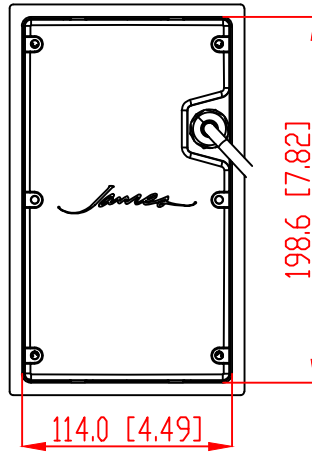


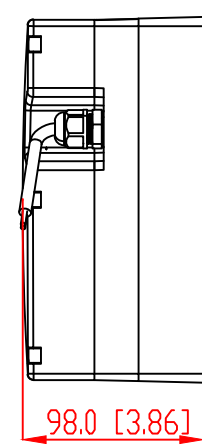
FRONT



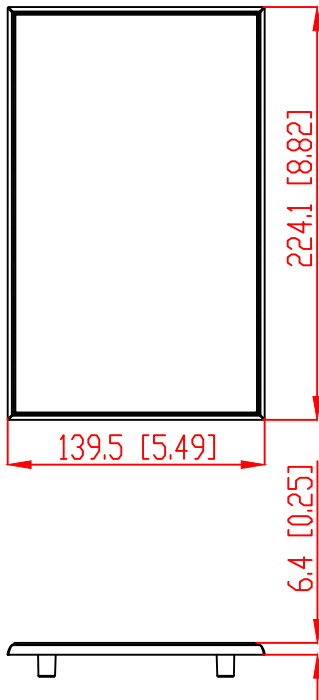
BACK / MINIMUM CUTOUT



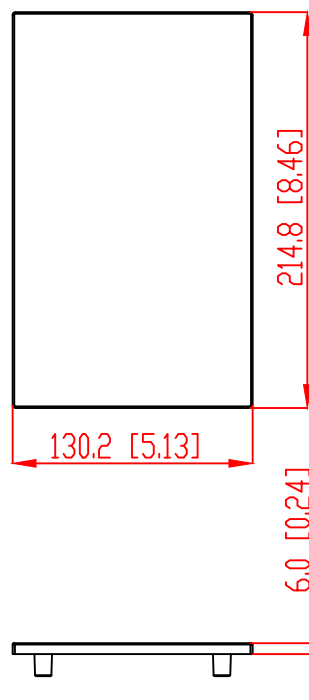
MOUNTING DEPTH



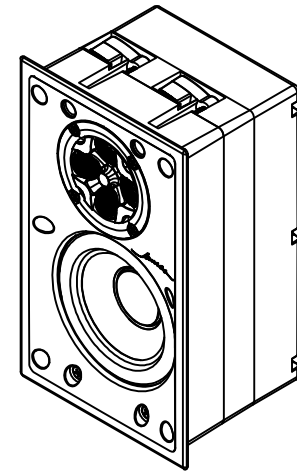
MICRO TRIM GRILLE



TRIMLESS GRILLE



ISOMETRIC



VXQ48 WITH ENCLOSURE SPEAKER

SCALE: 1 : 1
SHEET: 01

DRAWN BY: Roy
RELEASED IN:

DRWN - PART NUMBER

REV.

2185 Park Place
Minden, Nevada 89423 USA
775-461-7500
www.jamesloudspeaker.com

