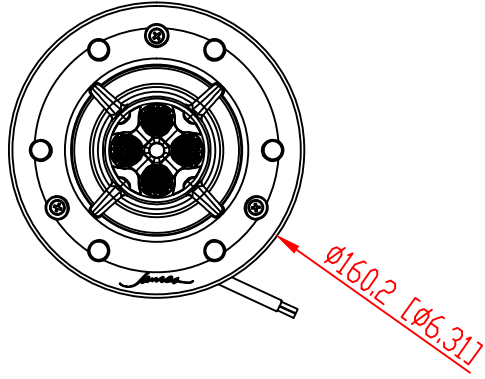
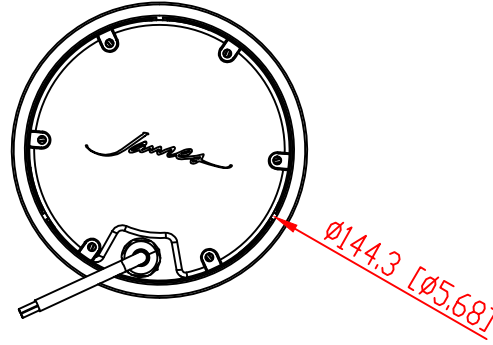


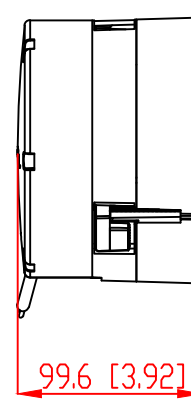
FRONT



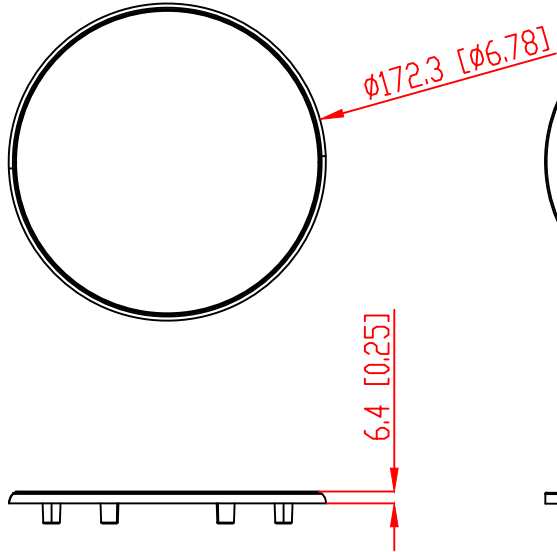
BACK / MINIMUM CUTOUT



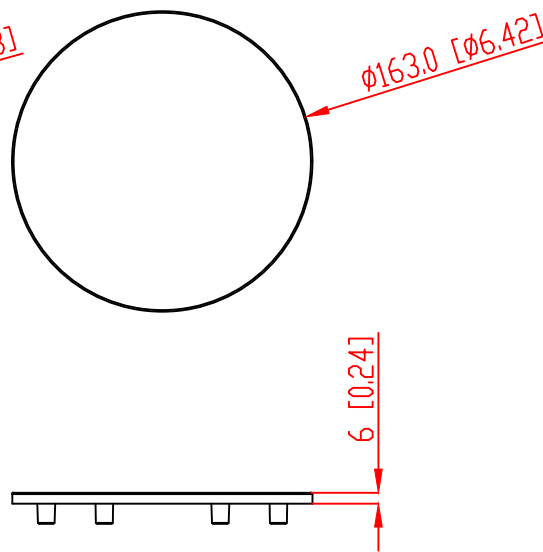
MOUNTING DEPTH



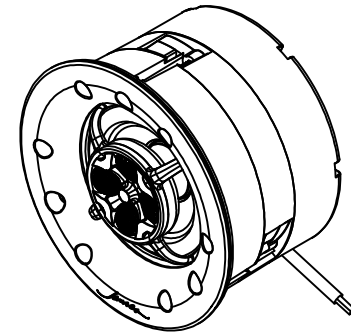
MICRO TRIM GRILLE



TRIMLESS GRILLE



ISOMETRIC



2185 Park Place
Minden, Nevada 89423 USA
775-461-7500
www.jamesloudspeaker.com



VXQ48R WITH SHALLOW ENCLOSURE SPEAKER

SCALE: 1 : 1
SHEET: 0F

DRAWN BY: Roy
RELEASED DIM:

DRWN - PART NUMBER

REV.