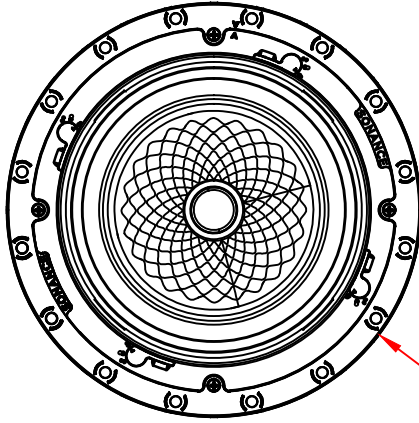
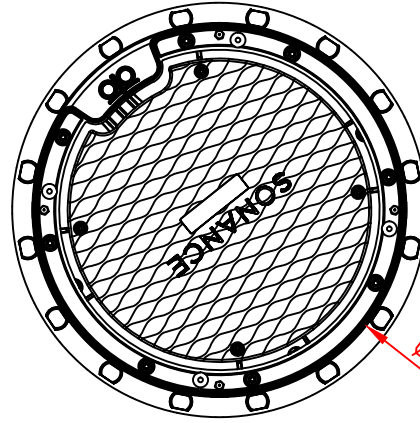


FRONT



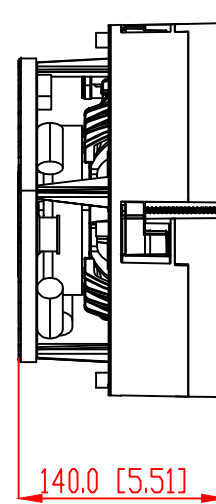
$\phi 281.1$ [$\phi 11.07$]

BACK / MINIMUM CUTOUT



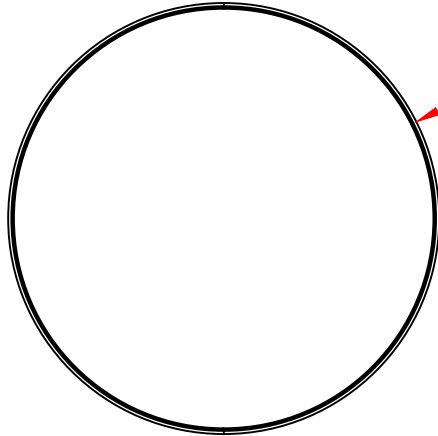
$\phi 254.0$ [$\phi 10.00$]

MOUNTING DEPTH



140.0 [5.51]

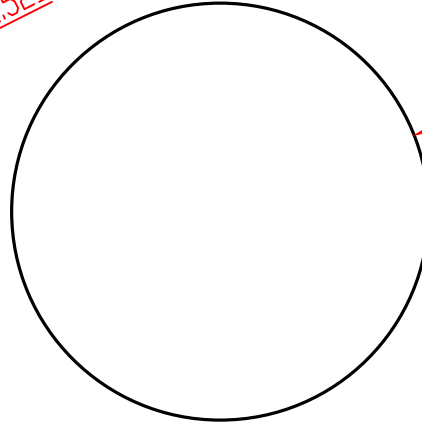
MICRO TRIM GRILLE



$\phi 292.6$ [$\phi 11.52$]

4 [0.16]

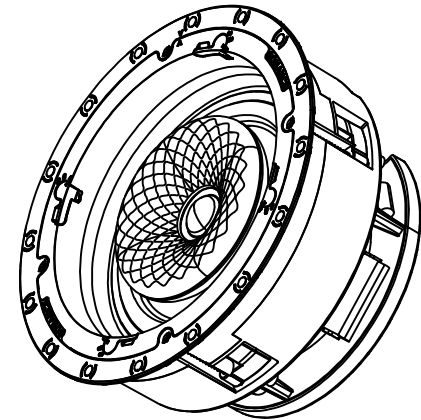
TRIMLESS GRILLE



$\phi 283.8$ [$\phi 11.17$]

3.6 [0.14]

ISOMETRIC



991 Calle Amanecer
San Clemente, California 92673 USA
949-492-7777
www.sonance.com

VX86R SPEAKER

SCALE: 4 : 5
SHEET: 0F

DRAWN - PART NUMBER

REV.

SONANCE