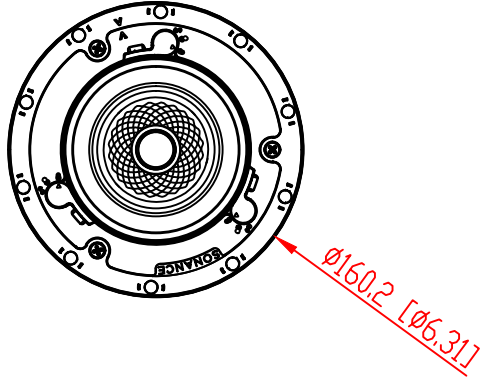
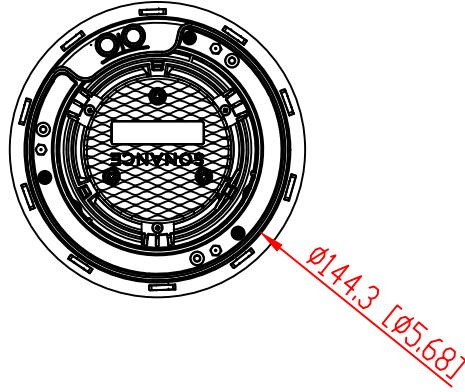


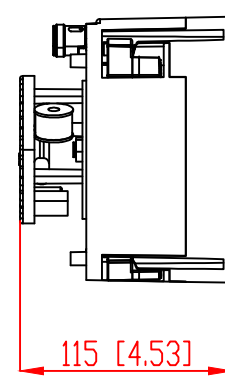
FRONT



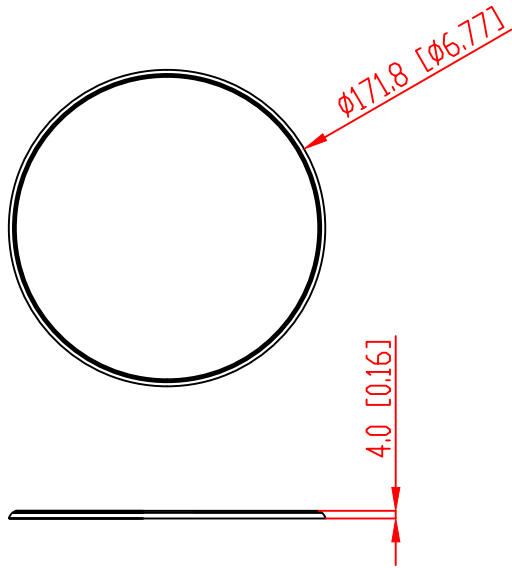
BACK / MINIMUM CUTOUT



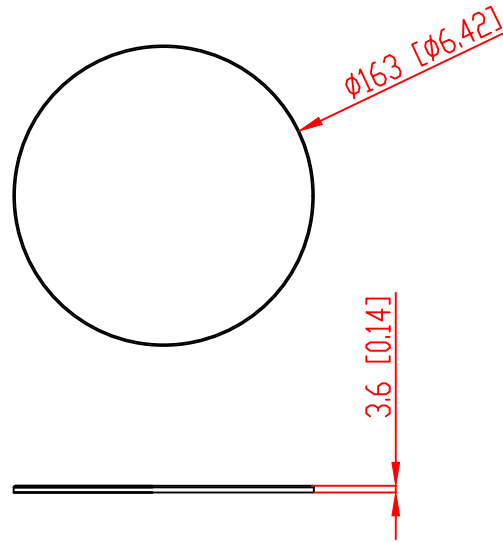
MOUNTING DEPTH



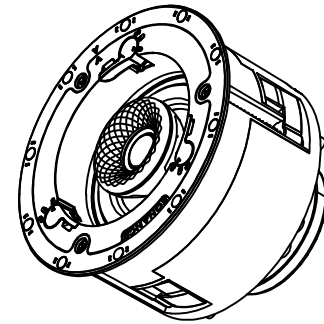
MICRO TRIM GRILLE



TRIMLESS GRILLE



ISOMETRIC



991 Calle Amanecer
 San Clemente, California 92673 USA
 949-492-7777
 WWW.SONANCE.COM

SONANCE

VX42R SPEAKER

SCALE: 1 : 1
 SHEET: 0F

DRAWN BY: Roy
 DRAWN - PART NUMBER

REV.

RELEASED DIM