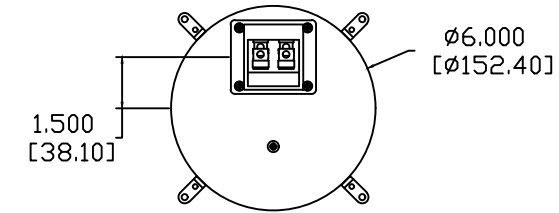
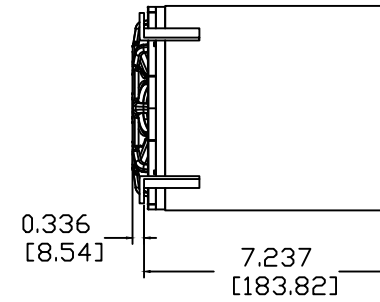
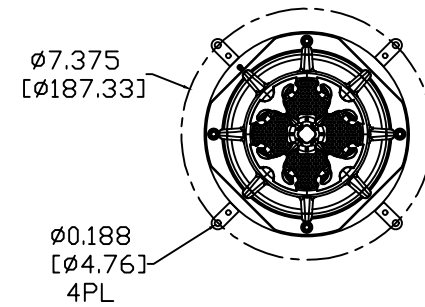
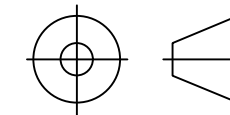


| REVISIONS |      |                        |          |          |
|-----------|------|------------------------|----------|----------|
| ECN       | REV. | DESCRIPTION            | DATE     | APPROVED |
|           | A    | RELEASE FOR PRODUCTION | 12-18-23 |          |



NOTES:

- 1: MATERIAL - 5052 ALUMINUM  
UNLESS OTHERWISE SPECIFIED
- 2: FINISH - STUDIO BLACK POWDER COAT  
UNLESS OTHERWISE SPECIFIED
- 3: DESIGNED TO BE USED WITH SA853QT-9-ENC (DWR# 231218-S1A)
- 4: BACKWARDS COMPATIBLE WITH THIRD GENERATION SA853Q-9-ENC (DWR# 190410-S4F)



"THIRD ANGLE" PROJECTION

|                         |  |              |
|-------------------------|--|--------------|
| PROPRIETARY INFORMATION | THE DESIGNS, INFORMATION, AND DATA CONTAINED HEREIN ARE PROPRIETARY AND ARE SUBMITTED IN CONFIDENCE, AND SHALL NOT BE DISCLOSED, USED OR DUPLICATED IN WHOLE OR IN PART, FOR ANY PURPOSES WHATSOEVER, WITHOUT THE PRIOR WRITTEN PERMISSION OF JAMES LOUDSPEAKER LLC, 2185 PARK PL, MINDEN, NV 89423. THIS LEGEND SHALL BE MARKED ON ANY REPRODUCTIONS HEREOF IN WHOLE OR IN PART. RECEIPT OF THIS DOCUMENT SHALL BE DEEMED TO BE AN ACCEPTANCE OF THE CONDITIONS SPECIFIED HEREIN. |              |
|                         | JAMES LOUDSPEAKER  |              |
|                         | SA853QT-9  |              |
|                         | MODULE EXTERNAL DIMENSIONS   |              |
|                         | P/N: SA853QT-9-MDD   |              |
|                         | DWR #: 231218-S201   |              |
|                         | REVISED BY:  |              |
|                         | DRAWN BY: S. LOESCH  |              |
|                         | DATE: 12-18-23   |              |
|                         | APPROVED:  |              |
|                         | DRAFTING APPROVED:   |              |
|                         | SCALE:   |              |
|                         | TOLERANCES: ANG: $\pm = .5^\circ$ FRACT. $\pm = 1/32$  |              |
|                         | DECIMALS: .XX $\pm = .01$ .XXX $\pm = .005$  |              |
|                         | REVISION: A  | SHEET 1 OF 3 |