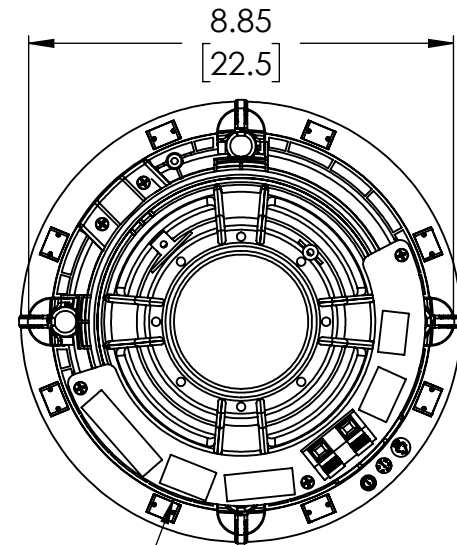
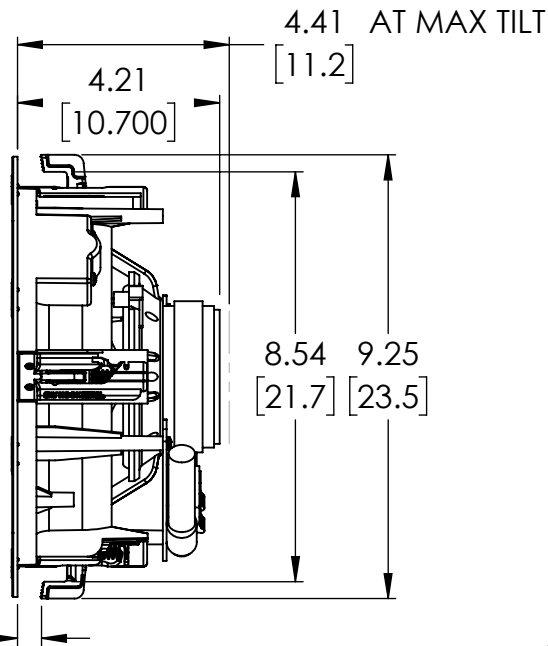
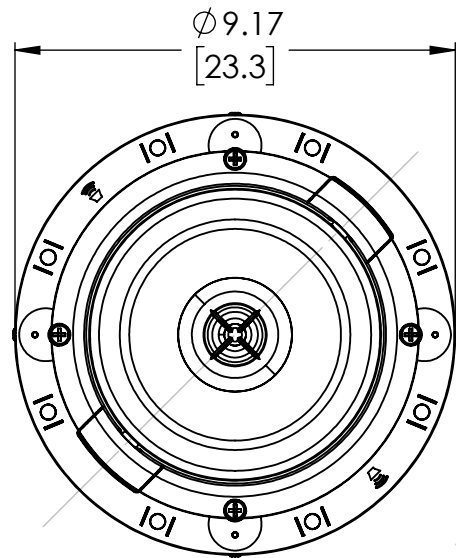
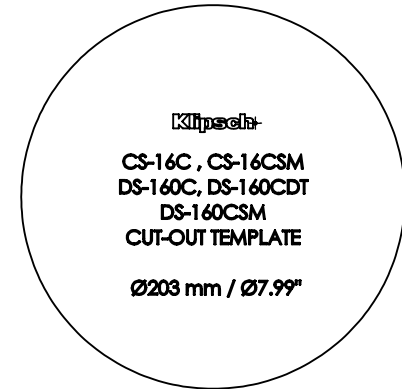
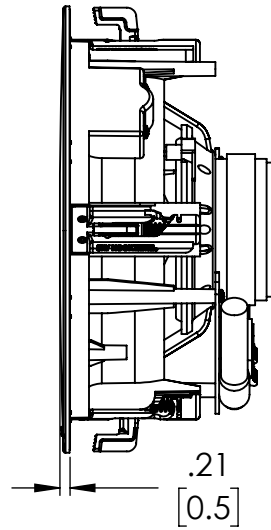
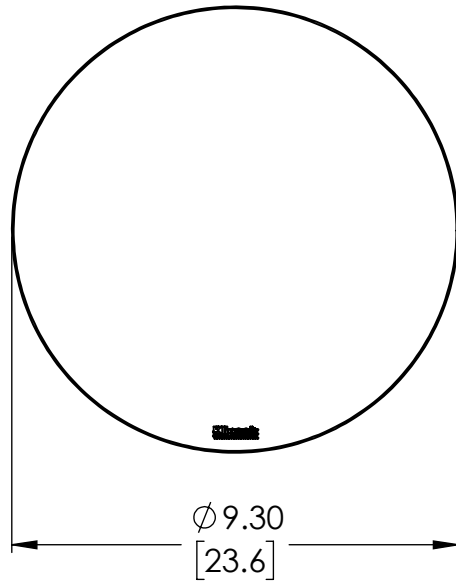


NOTES:

1. TWEETER SWIVELS 15° AROUND DRIVER AXIS
2. DRIVER ROTATES +/- 10° ABOUT A SINGLE AXIS RELATIVE TO BAFFLE.



.50 MIN
[1.3]
1.0 MAX
[2.5]

DWG. DS-160CDT

DATE: 2018-02-01 DIM: INCH [CM]

SHEET: 1 OF 1 SCALE: 1:4

Klipsch
KEEPERS OF THE SOUND

3502 WOODVIEW TRACE INDIANAPOLIS, IN 46268 | KLIPSCH.COM

All specifications are subject to change without notice. © 2016 Klipsch Group, Inc. Klipsch and Keepers of the Sound are registered trademarks of Klipsch Group, Inc. a wholly-owned subsidiary of Voxco International Corporation.